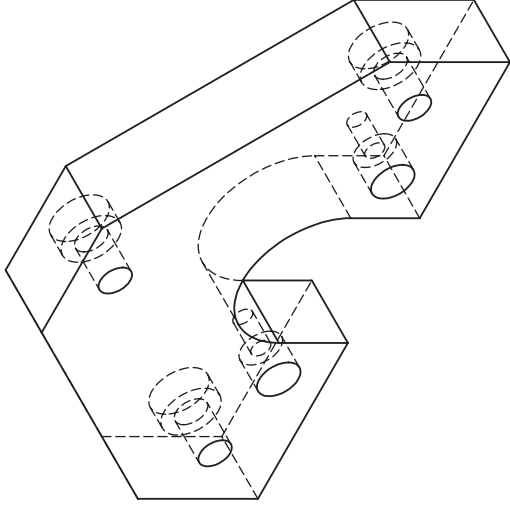
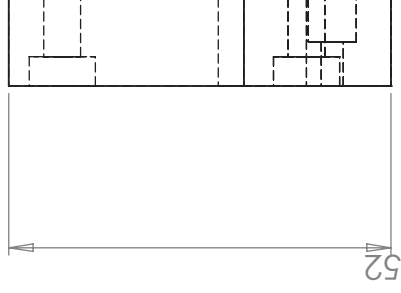
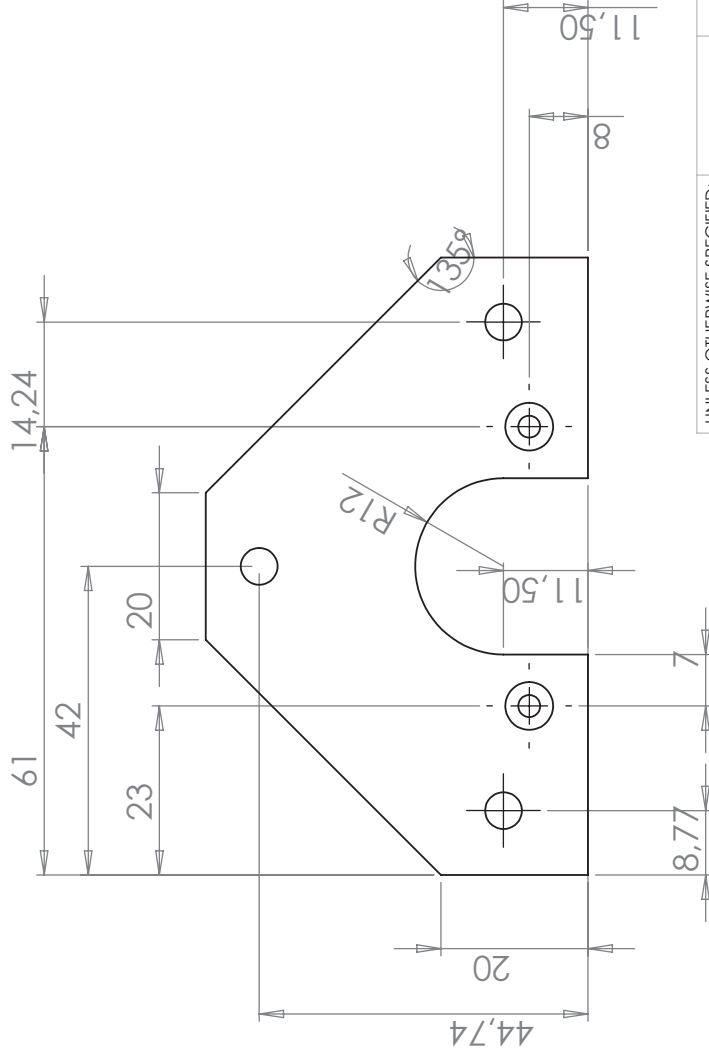
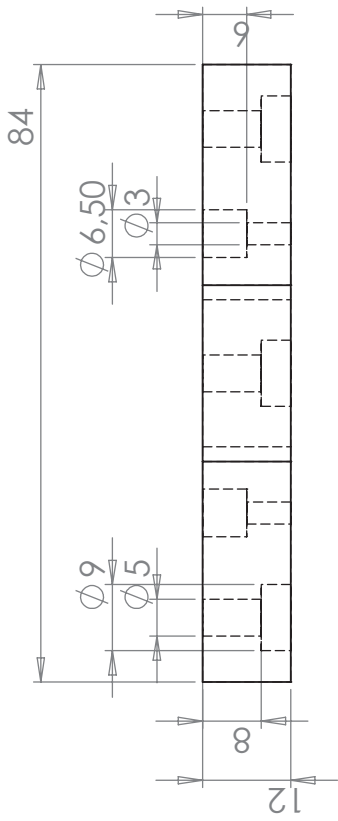


UNLESS OTHERWISE SPECIFIED:		NAME	DATE
DRAWN			
CHECKED			
ENG APPR.			
MFG APPR.			
Q.A.			
COMMENTS:			
INTERPRET GEOMETRIC TOLERANCING PER:			
MATERIAL			
FINISH			

http://www.roboticus.org	
TITLE:	
X support	
SIZE	DWG. NO.
A	REV
SCALE: 1:1	WEIGHT:
	SHEET 1 OF 1



UNLESS OTHERWISE SPECIFIED:

DRAWN	NAME	DATE
CHECKED		
ENG APPR.		
MFG APPR.		
Q.A.		
COMMENTS:		

INTERPRET GEOMETRIC TOLERANCING PER:
MATERIAL
FINISH
DO NOT SCALE DRAWING

<http://www.roboticus.org>

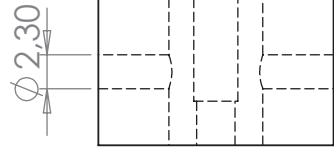
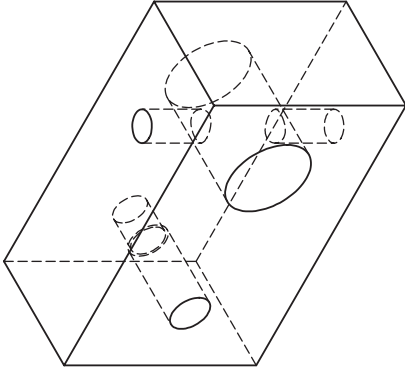
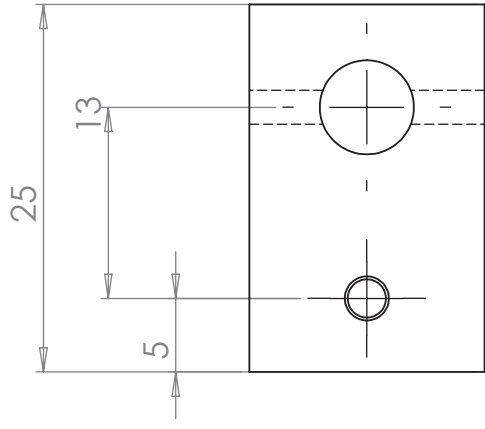
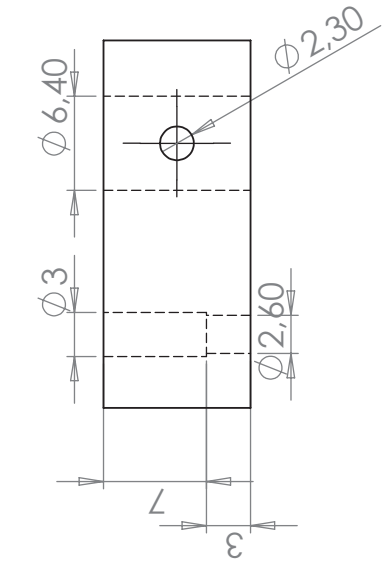
TITLE:

Y support

SIZE DWG. NO. REV

A

SCALE: 1:1 WEIGHT: SHEET 1 OF 1



UNLESS OTHERWISE SPECIFIED:		NAME		DATE	
DRAWN					
CHECKED					
ENG APPR.					
MFG APPR.					
Q.A.					
COMMENTS:					
INTERPRET GEOMETRIC TOLERANCING PER:					
MATERIAL					
FINISH					
DO NOT SCALE DRAWING					
SCALE: 2:1		WEIGHT:		SHEET 1 OF 1	

<http://www.roboticus.org>

TITLE:

Coupleur

SIZE DWG. NO. REV
A