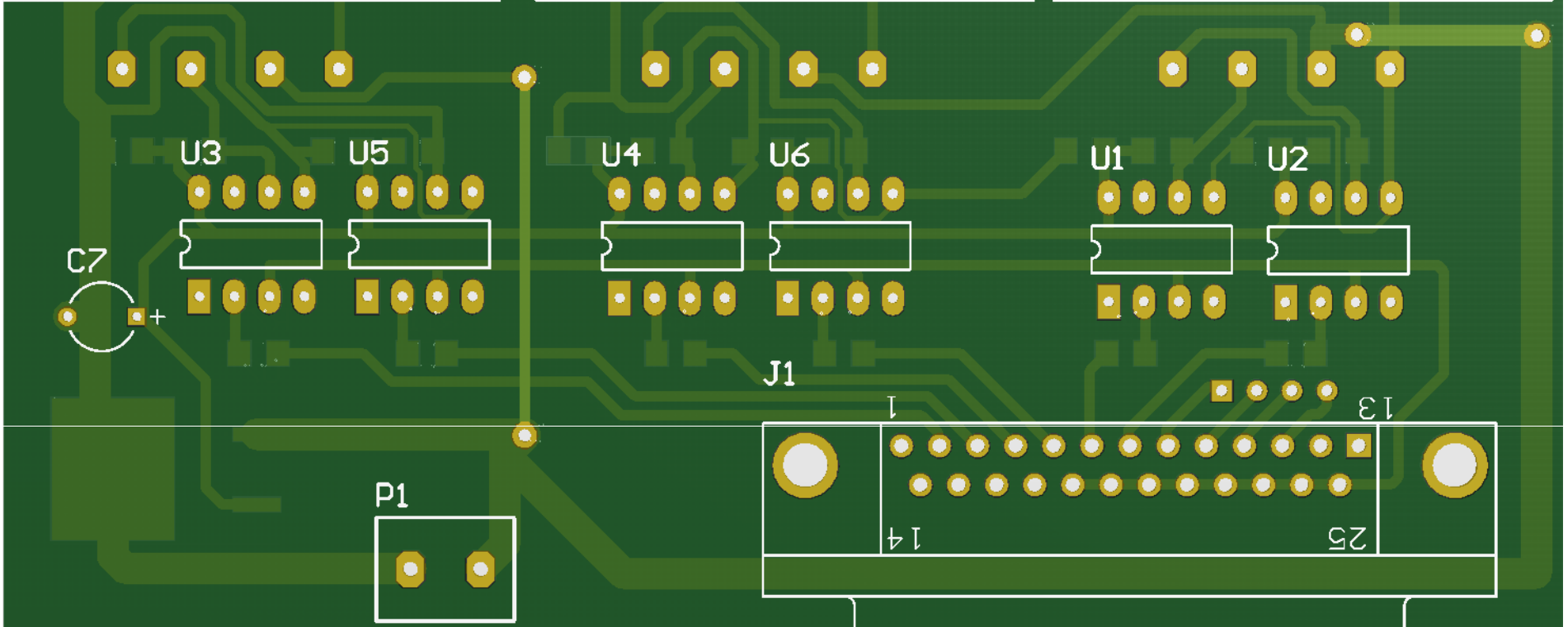


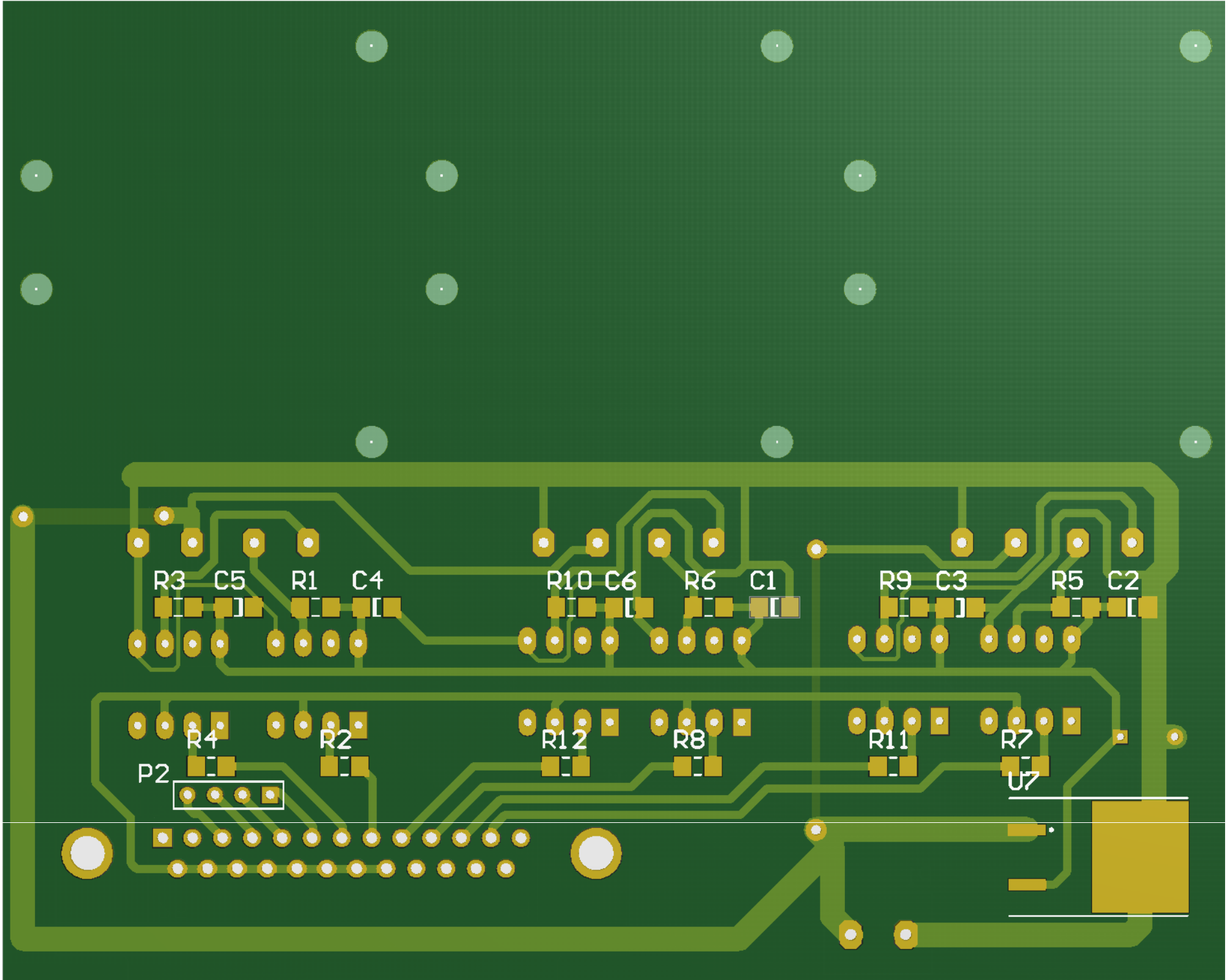
Title		
<b>3 Axis Stepper Drive</b>		
Size	Number	Revision
A4	<a href="http://www.roboticus.org">http://www.roboticus.org</a>	
Date:	20/02/2011	Sheet of
File:	D:\Roboticus\LPT A3979\LPT.SchDoc	Drawn By:

B2

B3

B1





# Bill of Materials

<Parameter Title not found>

Source Data From: Project LPT.PrjPcb  
 Project: Project LPT.PrjPcb  
 Variant: None

Creation Date: 20/02/2011 13:55:01  
 Print Date: 40594 40594,57991

Footprint	Comment	#Column Name Error	Designator	#Column Name Error:Description	Quantity
A3979 board	A3979 board		B1, B2, B3		3
1206	100nF		C1, C2, C3, C4, C5, C6		6
CAPPR5-5x5	220µF 16V		C7		1
DSUB1.385-2H25A	D Connector 25 Male		J1		1
Bornier	Bornier		P1		1
HDR1X4	Header 4		P2		1
8RB-1206	1kR		R1, R3, R5, R6, R9, R10		6
8RB-1206	180R		R2, R4, R7, R8, R11, R12		6
DIP8	6N137		U1, U2, U3, U4, U5, U6		6
TO-263	L7805ABD2T		U7		1
					32

Approved	Notes

